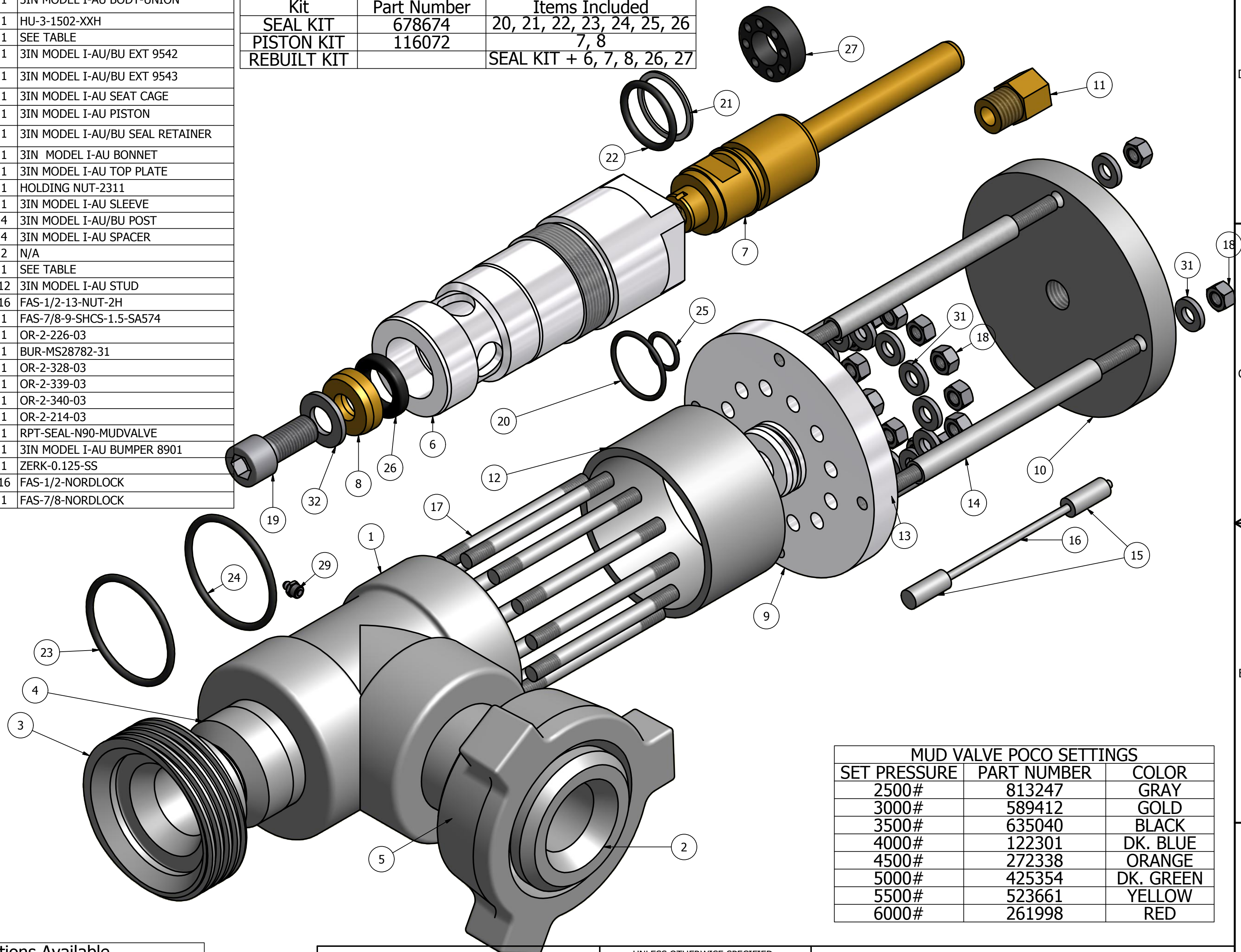


Parts List			
ITEM	DESCRIPTION	QTY	PART #
1	BODY - UNION	1	3IN MODEL I-AU BODY-UNION
2	HAMMER UNION	1	HU-3-1502-XXH
3	HAMMER UNION	1	SEE TABLE
4	OUTLET EXTENSION	1	3IN MODEL I-AU/BU EXT 9542
5	INLET EXTENSION	1	3IN MODEL I-AU/BU EXT 9543
6	SEAT CAGE	1	3IN MODEL I-AU SEAT CAGE
7	PISTON	1	3IN MODEL I-AU PISTON
8	SEAL RETAINER	1	3IN MODEL I-AU/BU SEAL RETAINER
9	BONNET	1	3IN MODEL I-AU BONNET
10	TOP PLATE	1	3IN MODEL I-AU TOP PLATE
11	1-1/8 INCH HOLDING NUT	1	HOLDING NUT-2311
12	SLEEVE	1	3IN MODEL I-AU SLEEVE
13	POST	4	3IN MODEL I-AU/BU POST
14	SPACER	4	3IN MODEL I-AU SPACER
15	POCO END	2	N/A
16	RUPTURE PIN	1	SEE TABLE
17	STUD	12	3IN MODEL I-AU STUD
18	HEX NUT (BONNET, POST)	16	FAS-1/2-13-NUT-2H
19	PISTON BOLT	1	FAS-7/8-9-SHCS-1.5-SA574
20	O-RING (BONNET)	1	OR-2-226-03
21	BACK-UP RING (PISTON)	1	BUR-MS28782-31
22	O-RING (PISTON)	1	OR-2-328-03
23	O-RING (LWR CAGE)	1	OR-2-339-03
24	O-RING (UPPR CAGE)	1	OR-2-340-03
25	O-RING (STEM)	1	OR-2-214-03
26	MAIN SEAL	1	RPT-SEAL-N90-MUDVALVE
27	BUMPER	1	3IN MODEL I-AU BUMPER 8901
29	1/8" ZERK FITTING	1	ZERK-0.125-SS
31	NORDLOCK (BONNET, POST)	16	FAS-1/2-NORDLOCK
32	NORDLOCK (PISTON)	1	FAS-7/8-NORDLOCK

Spare Parts Kits		
Kit	Part Number	Items Included
SEAL KIT	678674	20, 21, 22, 23, 24, 25, 26
PISTON KIT	116072	7, 8
REBUILT KIT		SEAL KIT + 6, 7, 8, 26, 27



MUD VALVE POCO SETTINGS		
SET PRESSURE	PART NUMBER	COLOR
2500#	813247	GRAY
3000#	589412	GOLD
3500#	635040	BLACK
4000#	122301	DK. BLUE
4500#	272338	ORANGE
5000#	425354	DK. GREEN
5500#	523661	YELLOW
6000#	261998	RED

End Connections Available		
Connection Type	Rating	Part Number
HAMMER UNION	602	951034
HAMMER UNION	1002	484327
HAMMER UNION	1003	151547
HAMMER UNION	1502	883226
SPECIAL	VARIOUS	CALL TO ORDER

DOCUMENT CONTROL			
8/23/11		GK	A
DATE	ECN NO.	APPR.	REV.

UNLESS OTHERWISE SPECIFIED
TOLERANCES ARE TO BE:

FRACTIONS	±1/64
.XX	±.015
.XXX	±.005
ANGULAR	±1°
CORNERS	.03 x 45°
RADII	.03 R
CONCENTRICITY	.010 T.L.R.
FINISH	80 RMS

STAMPING TO BE LOW STRESS TYPE

▶ HARDNESS TEST LOCATION

RUPTURE PIN TECHNOLOGY INC.		
SCALE: NONE	APPROVED BY: J TAYLOR	DRAWN BY: G KELCH
DATE: DATE		
3" MODEL I-A MUD VALVE		
COMPONENT EXPLOSION	DRAWING NUMBER:	